



Model FC Mass Flow Computer Wiring Diagrams



Model FC Mass Flow Computer Wiring Diagrams

CONTENTS

INTRODUCTION

I.	FORCEMETER™ WITH INTERNAL POWER.....	3
II.	FORCEMETER™ WITH EXTERNAL POWER.....	4
III.	NIAGARA METERS® 1050 WITH INTERNAL POWER – PULSE OUTPUT.....	5
IV.	NIAGARA METERS® 1050 WITH INTERNAL POWER – CURRENT OUTPUT.....	6
V.	NIAGARA METERS® 1050 WITH EXTERNAL POWER – PULSE OUTPUT.....	7
VI.	NIAGARA METERS® 1050 WITH EXTERNAL POWER – CURRENT OUTPUT.....	8
VII.	NIAGARA METERS® MAGMETER 6600 WITH INTERNAL POWER – ACTIVE FREQUENCY/PULSE.....	9
VIII.	NIAGARA METERS® MAGMETER 6600 WITH INTERNAL POWER – CURRENT OUTPUT.....	10
IX.	NIAGARA METERS® MAGMETER 6600 WITH EXTERNAL POWER – PASSIVE FREQUENCY/PULSE.....	11



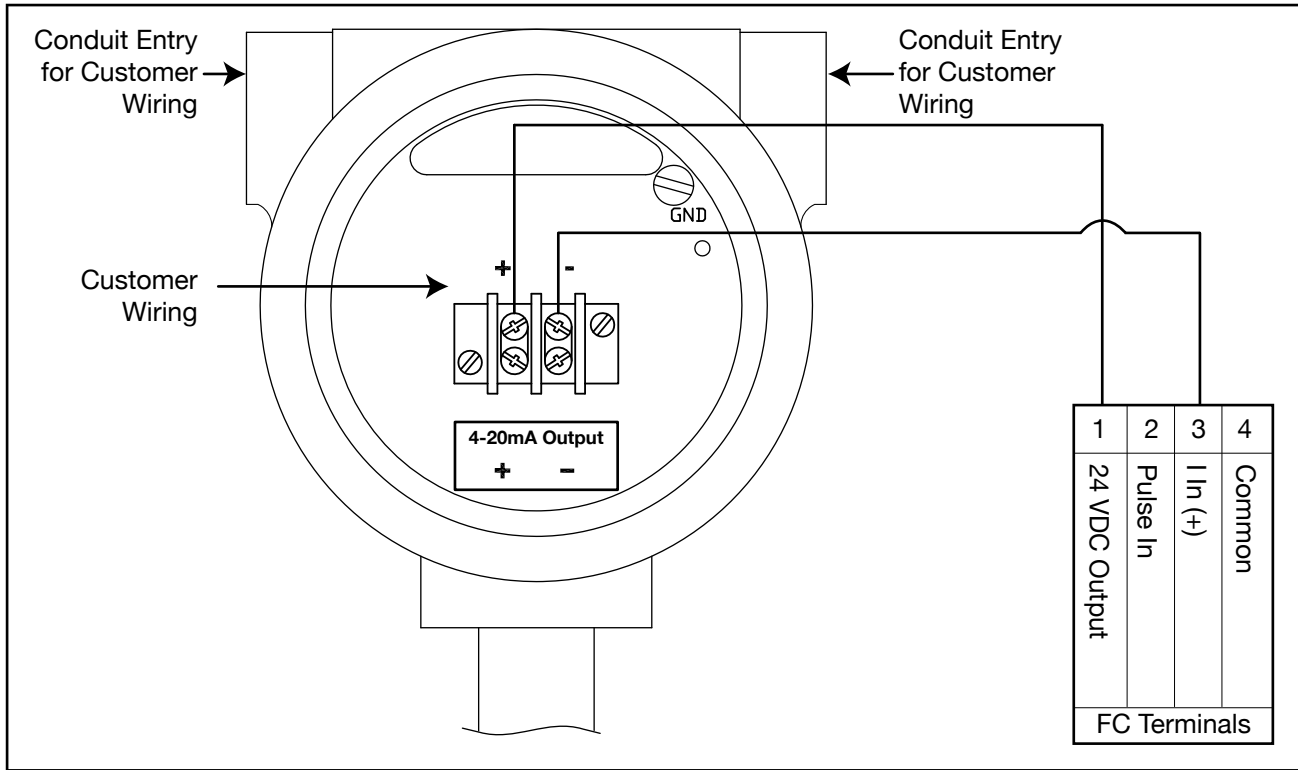
INTRODUCTION

This guide illustrates the proper wiring connections required for the Model FC Mass Flow Computer to be connected with other Niagara Meters® products. These diagrams should be consulted during installation and for any maintenance. Please consult the associated Installation and Operation Manual (IOM) for additional details and instructions.

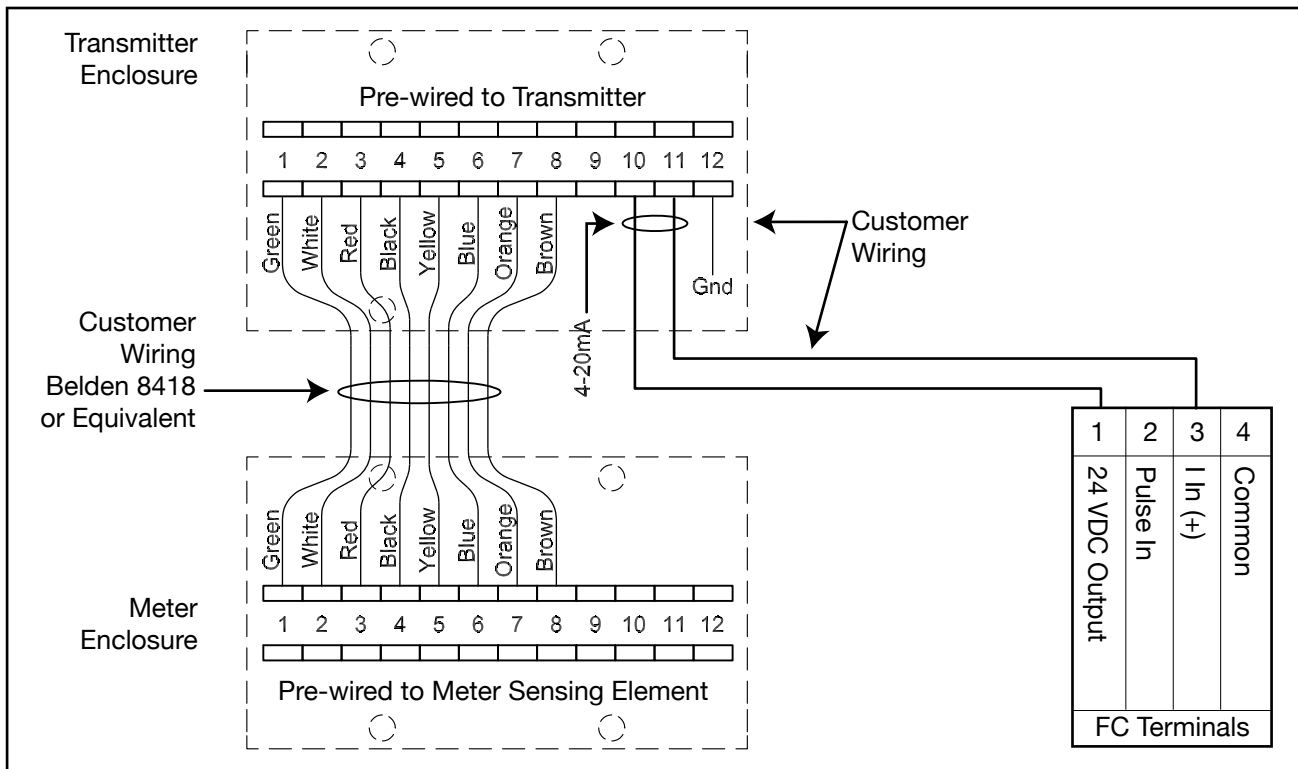
Niagara Meters® Customer Support can be reached at (800) 778-9251 for additional inquiries.

I. ForceMeter™ with Internal Power

Integral Transmitter

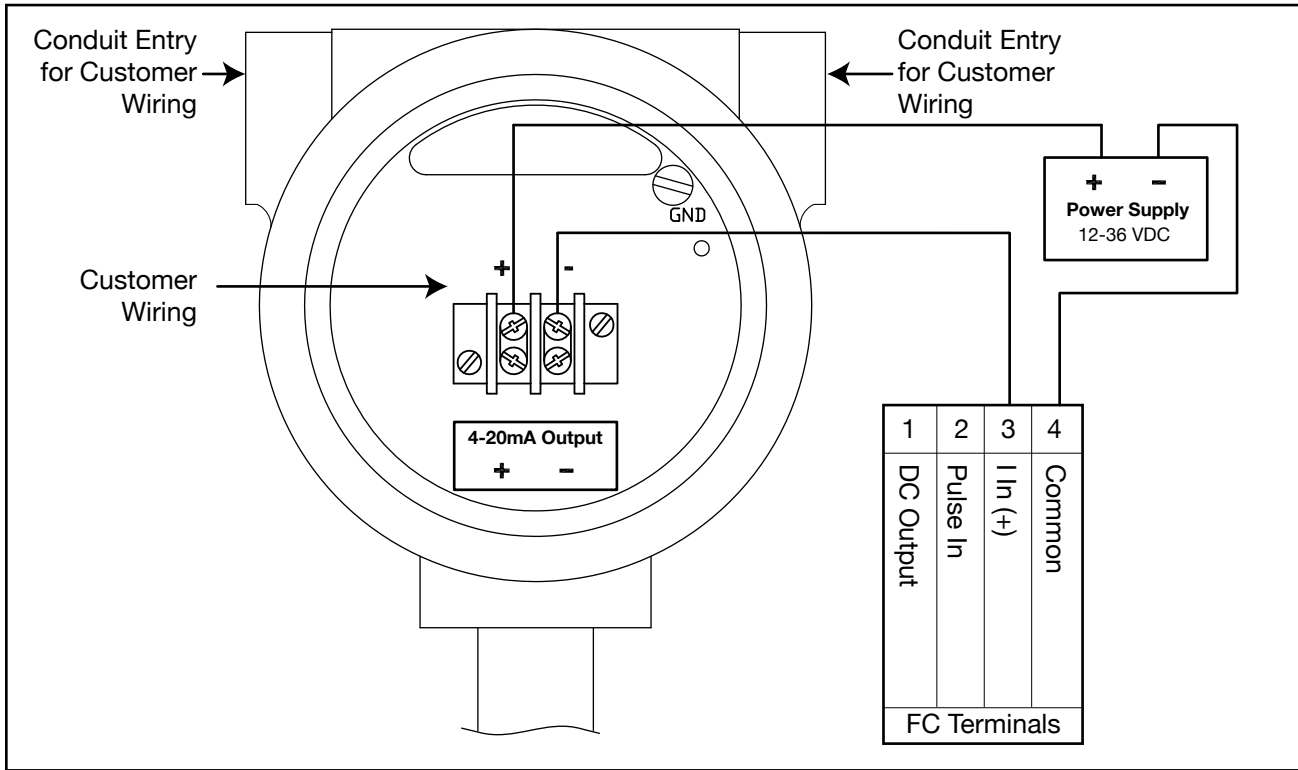


Remote Transmitter

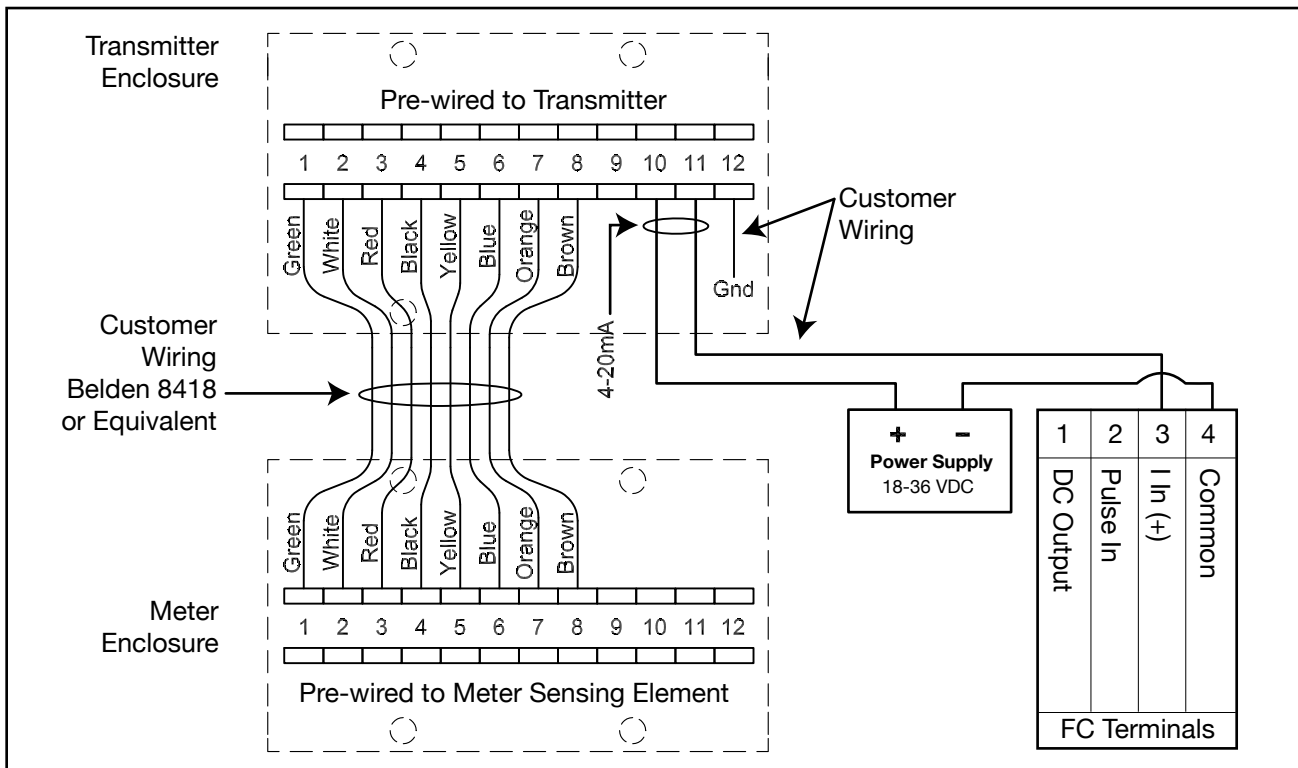


II. ForceMeter™ with External Power

Integral Transmitter

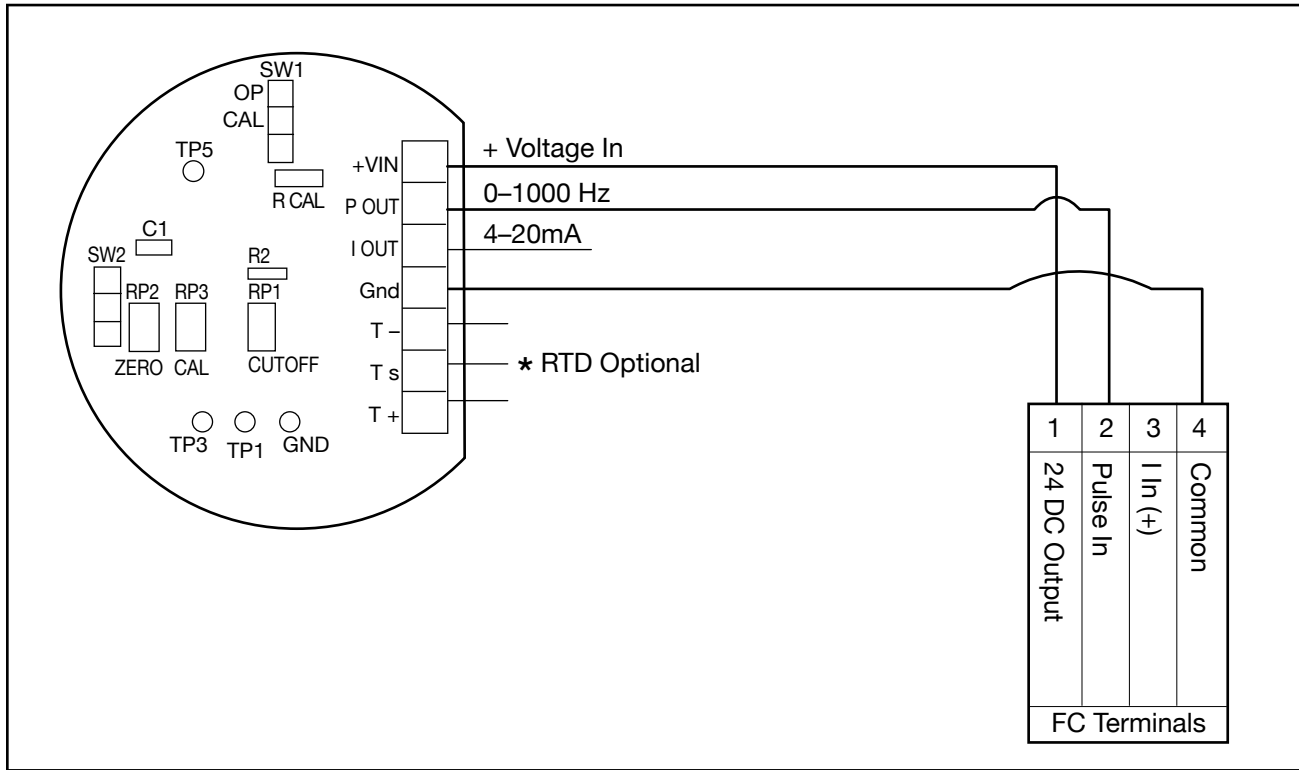


Remote Transmitter

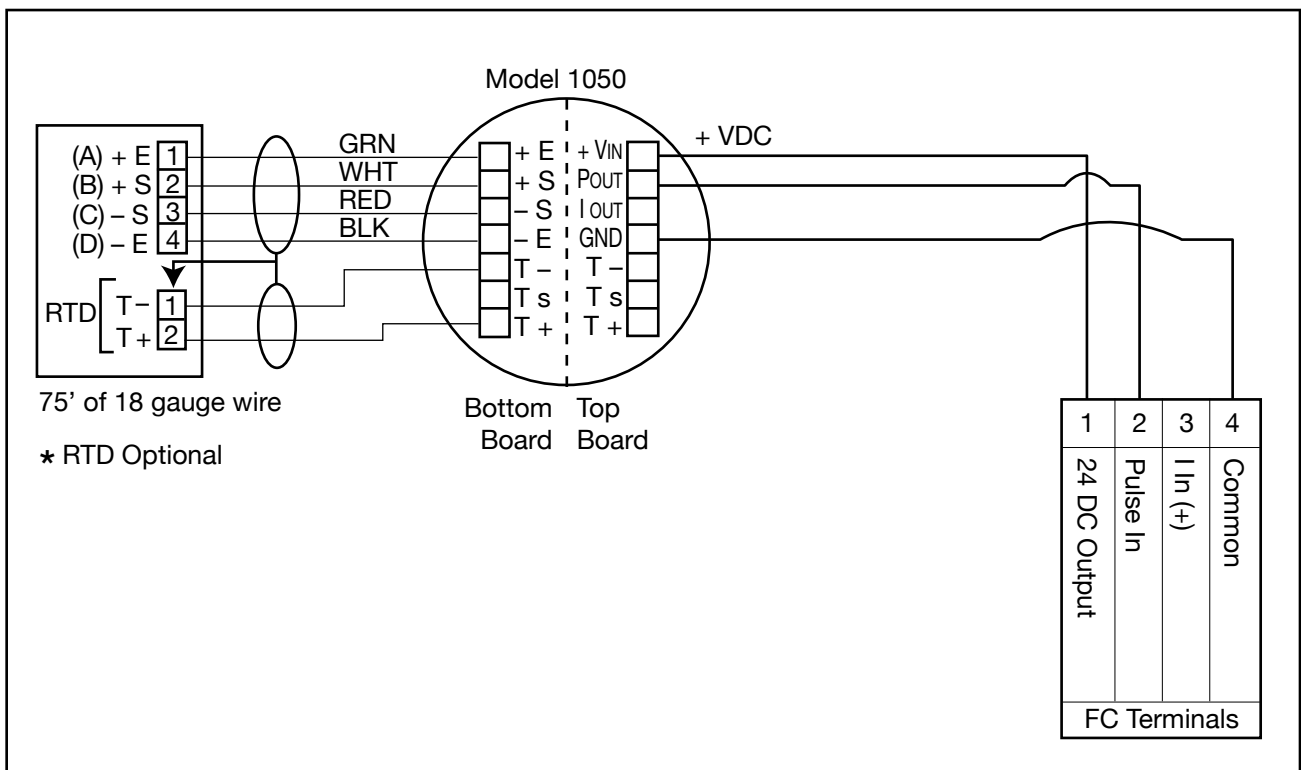


III. Niagara Meters® 1050 with Internal Power – Pulse Output

Integral Transmitter

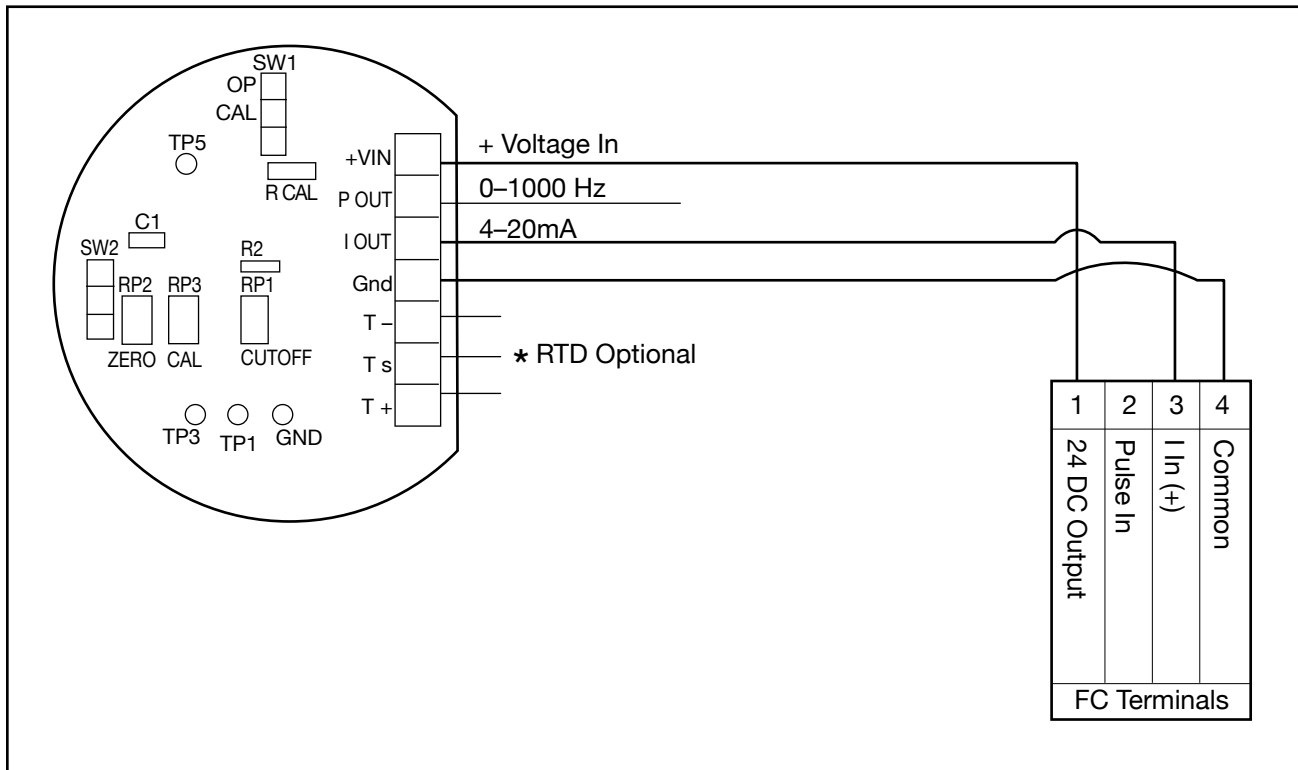


Remote Transmitter

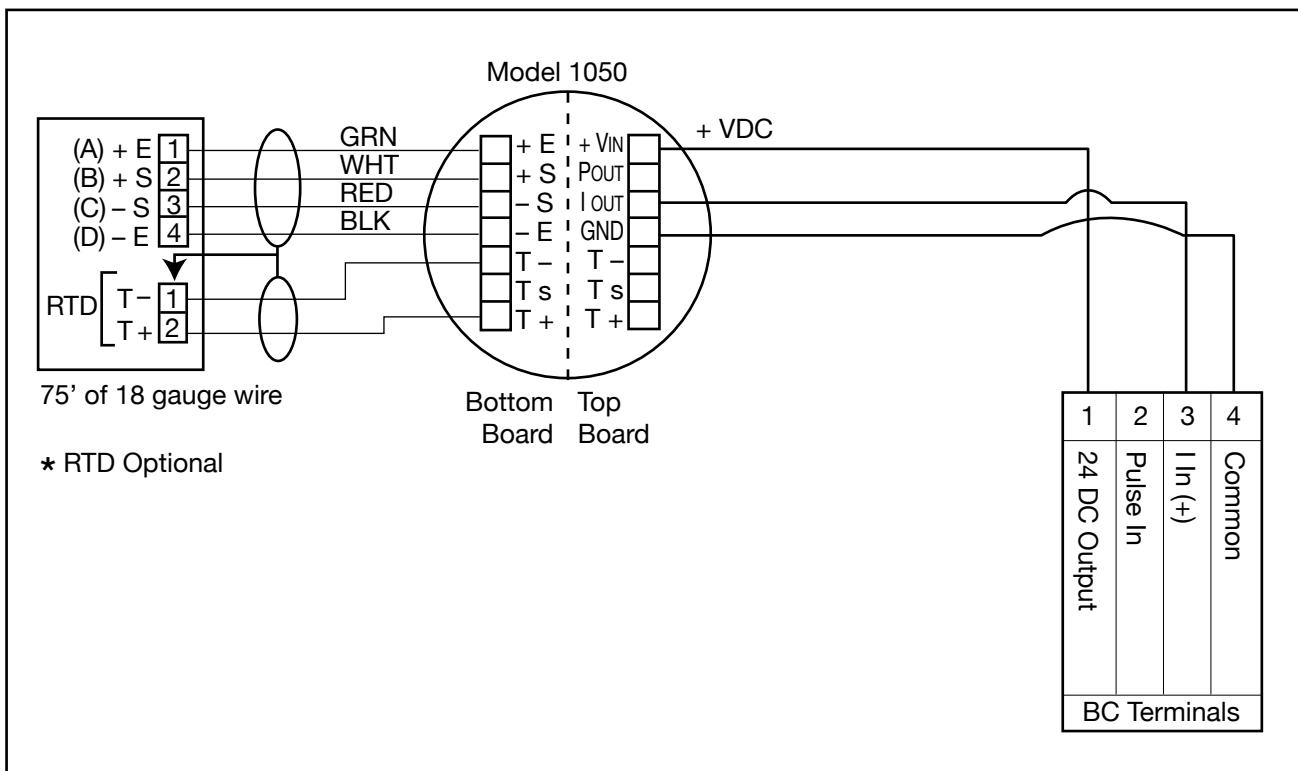


IV. Niagara Meters® 1050 with Internal Power – Current Output

Integral Transmitter

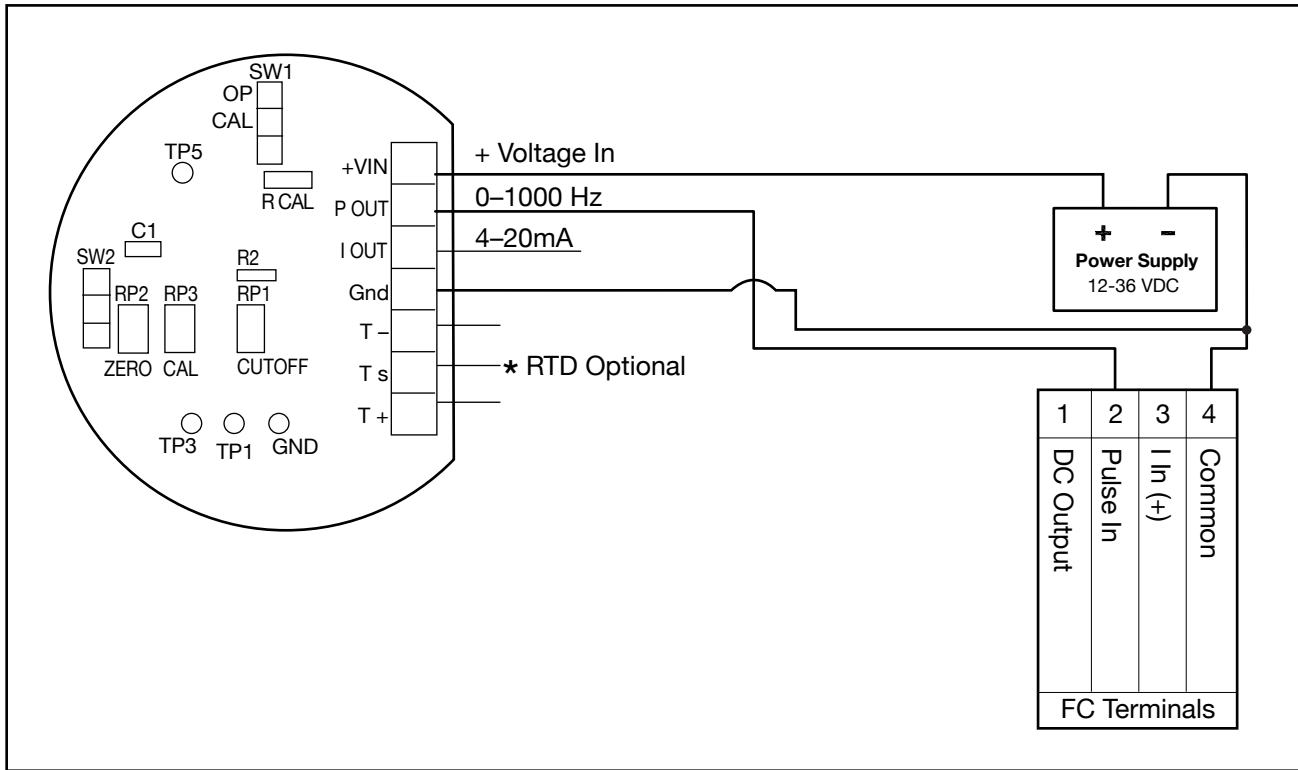


Remote Transmitter

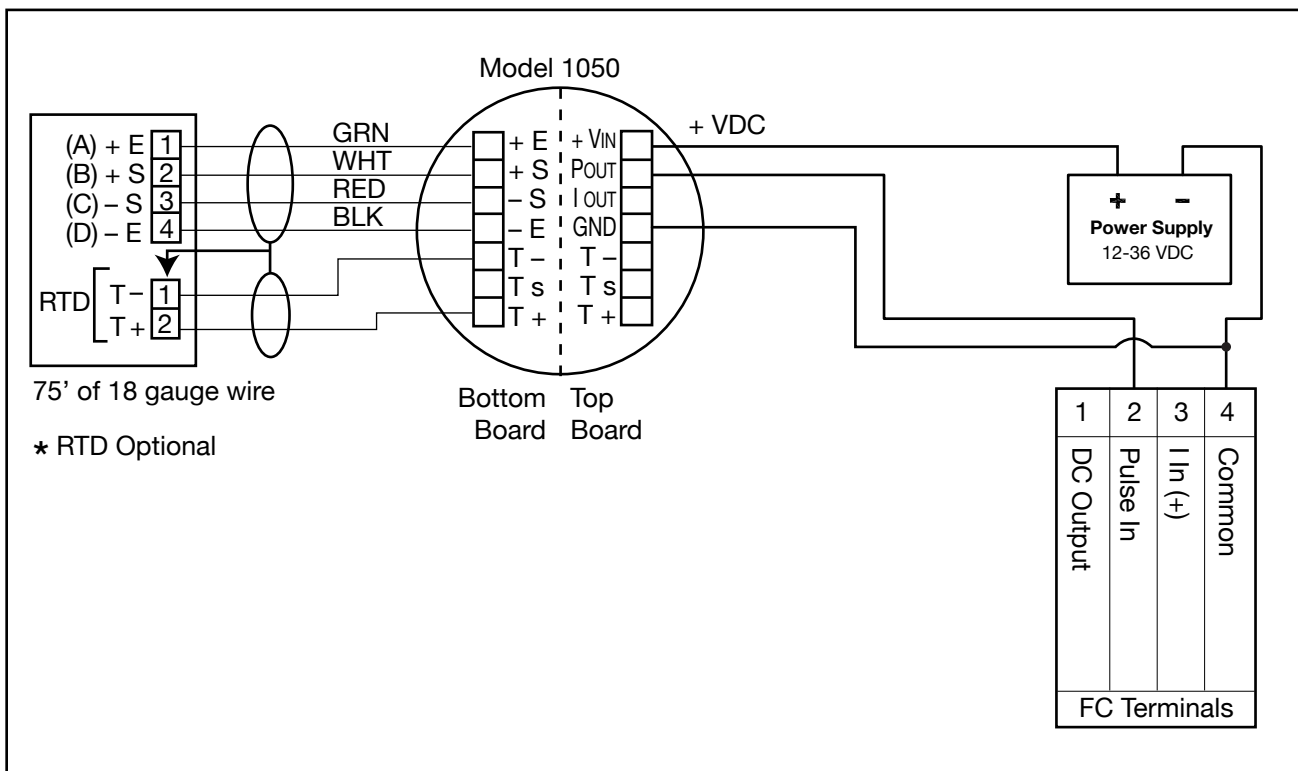


V. Niagara Meters® 1050 with External Power – Pulse Output

Integral Transmitter

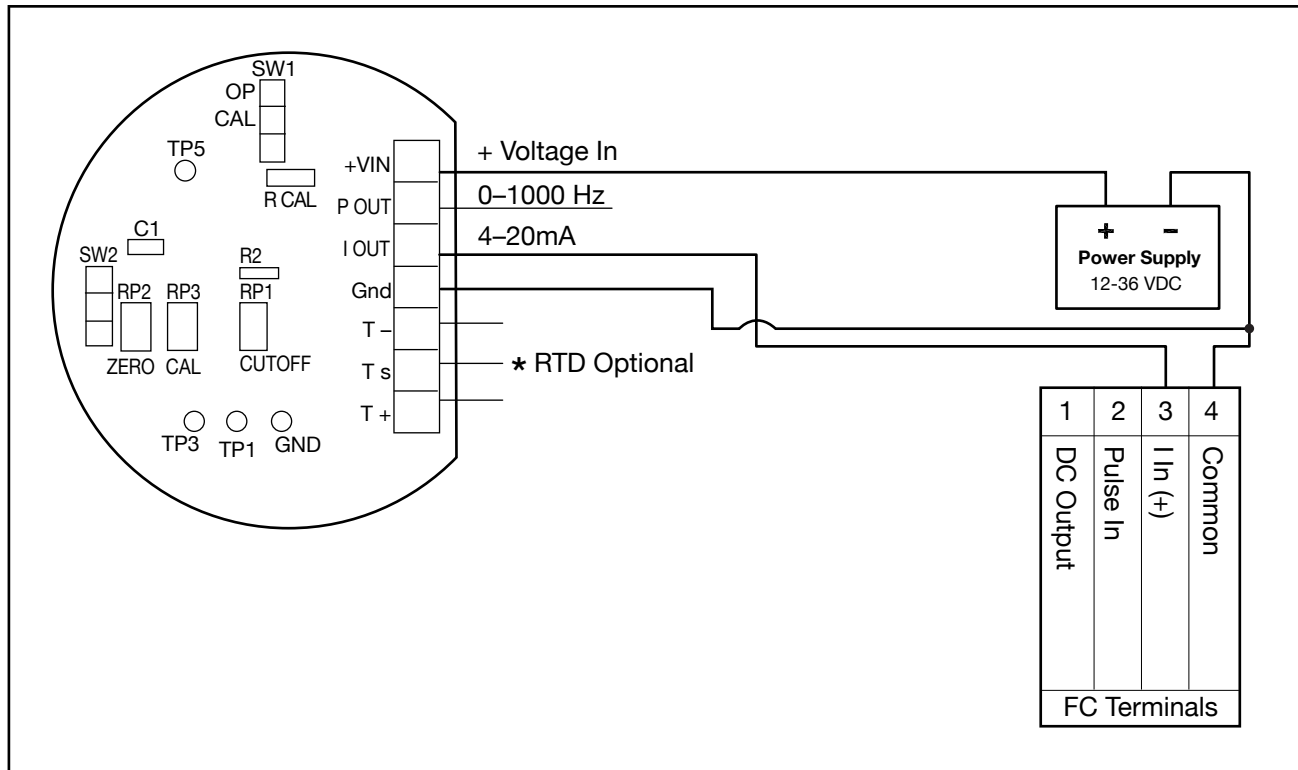


Remote Transmitter

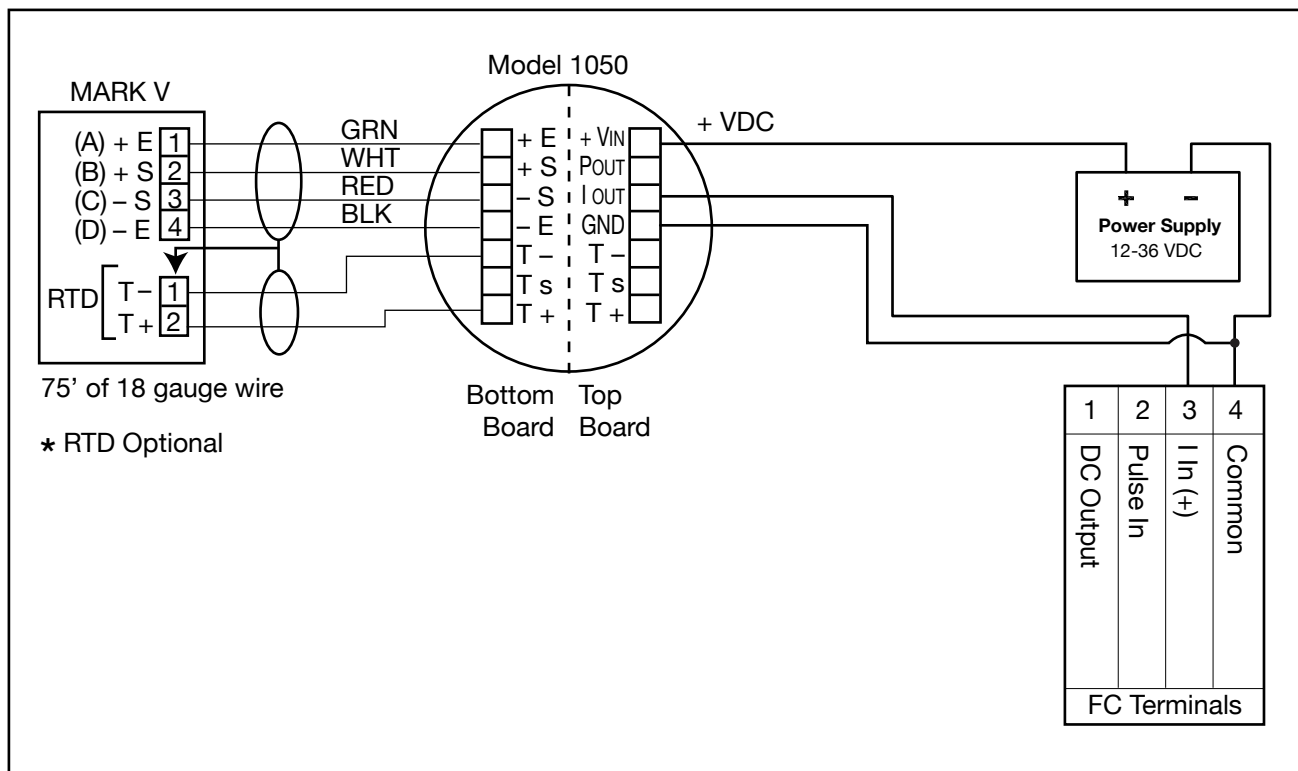


VI. Niagara Meters® 1050 with External Power – Current Output

Integral Transmitter

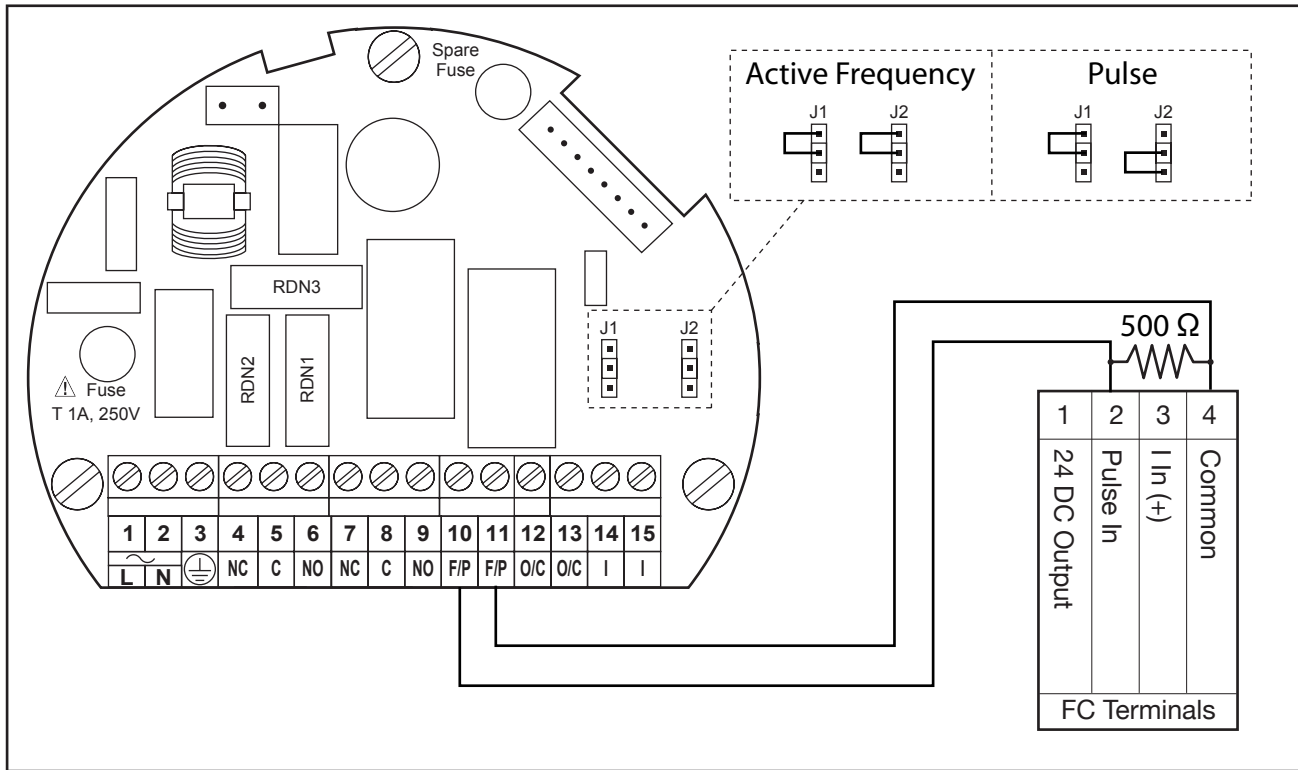


Remote Transmitter

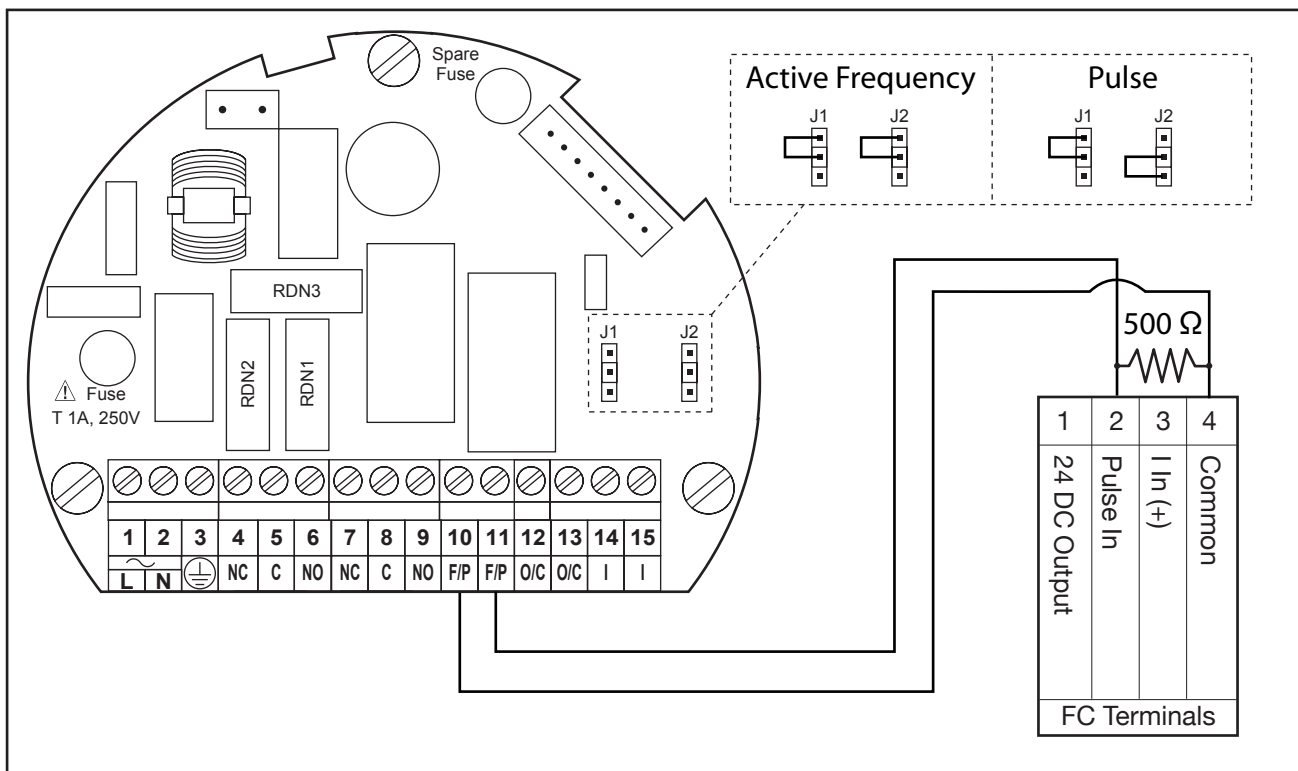


VII. Niagara Meters® 6600 with Internal Power – Active Frequency/Pulse

Integral Transmitter

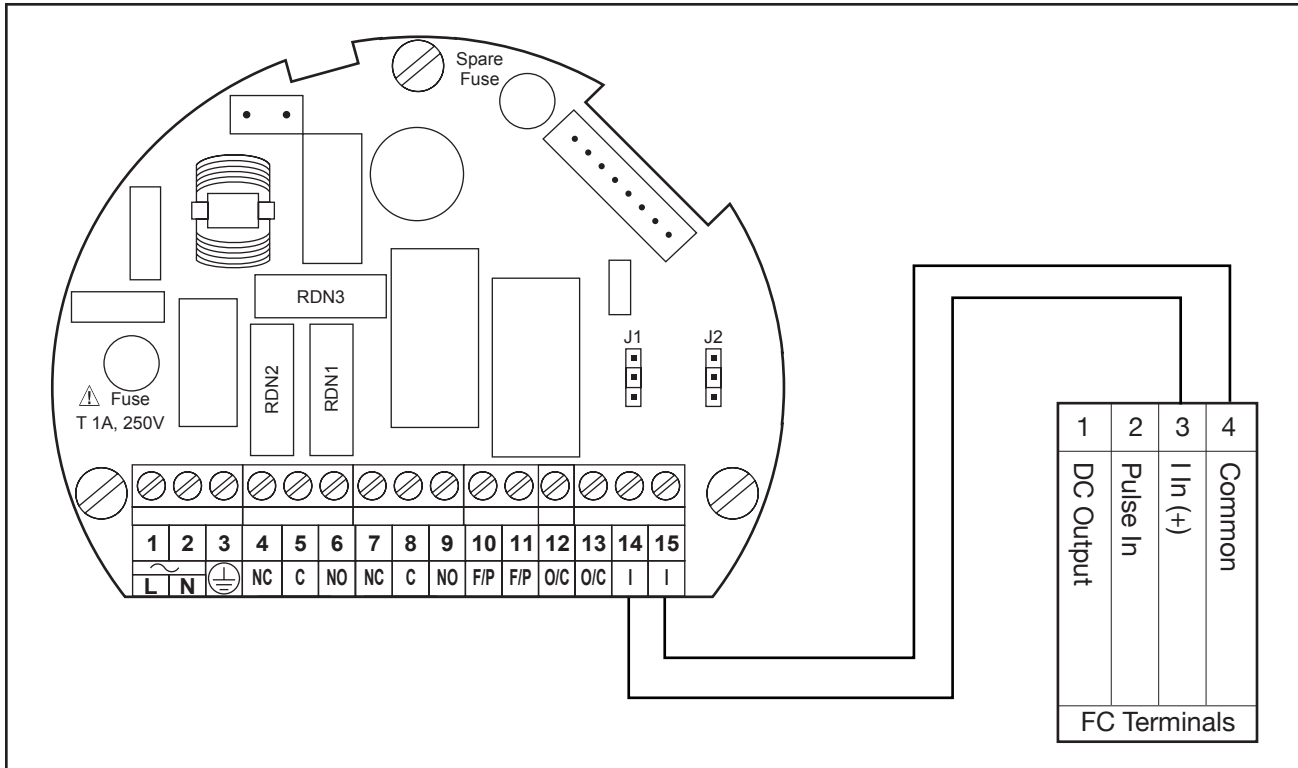


Remote Transmitter

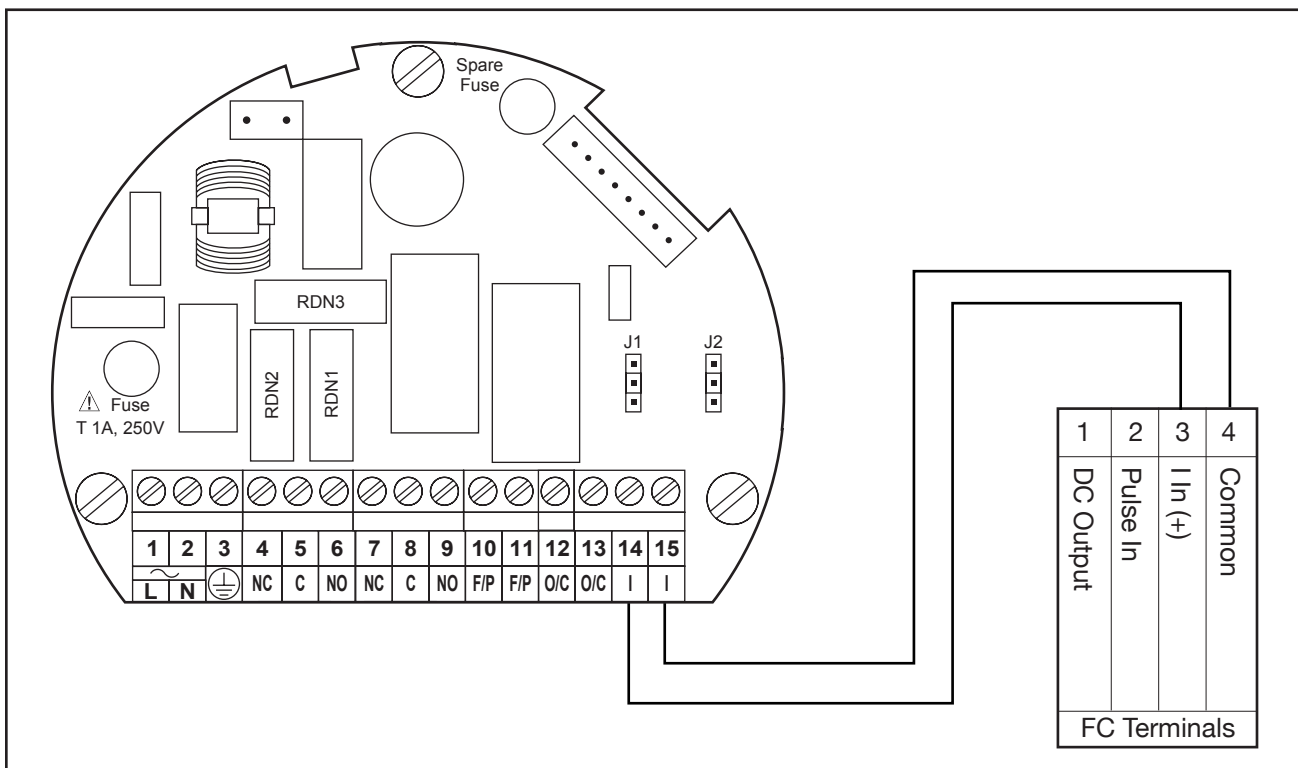


VIII. Niagara Meters® 6600 with Internal Power – Current Output

Integral Transmitter

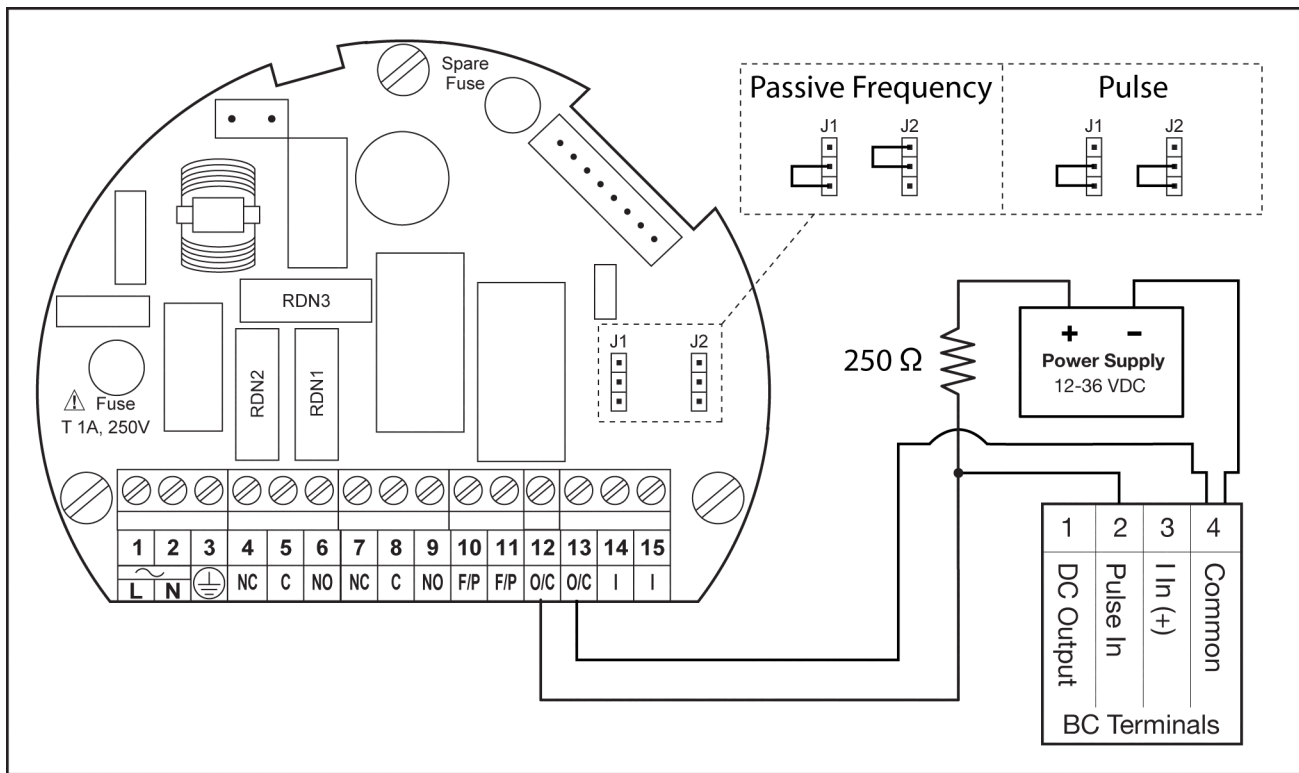


Remote Transmitter

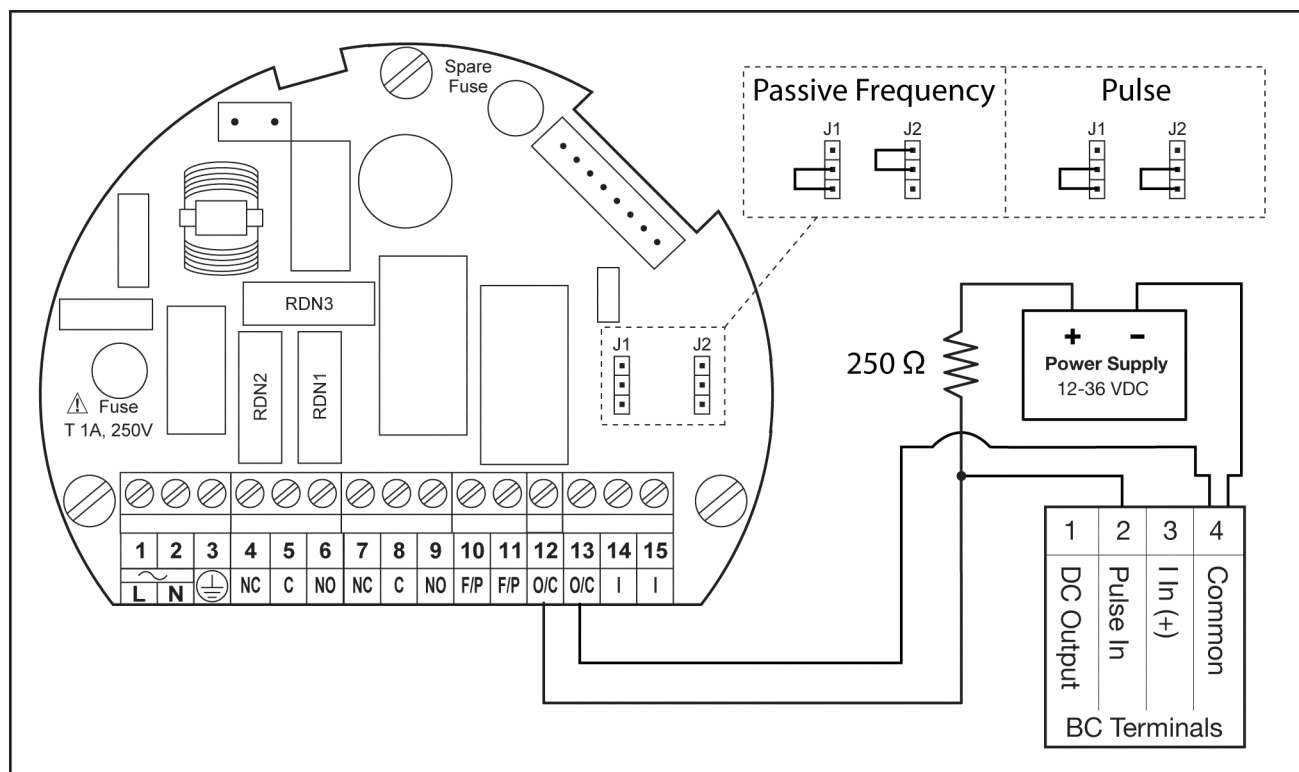


IX. Niagara Meters® 6600 with Internal Power – Passive Frequency/Pulse

Integral Transmitter



Remote Transmitter





150 Venture Boulevard
Spartanburg, SC 29306
Tel: 800.778.9251
Fax: 864.574.8063
E-mail: sales@niagarameters.com
www.niagarameters.com

venture
MEASUREMENT

2012 All rights reserved.
All data subject to change without notice.
M901 Rev. B