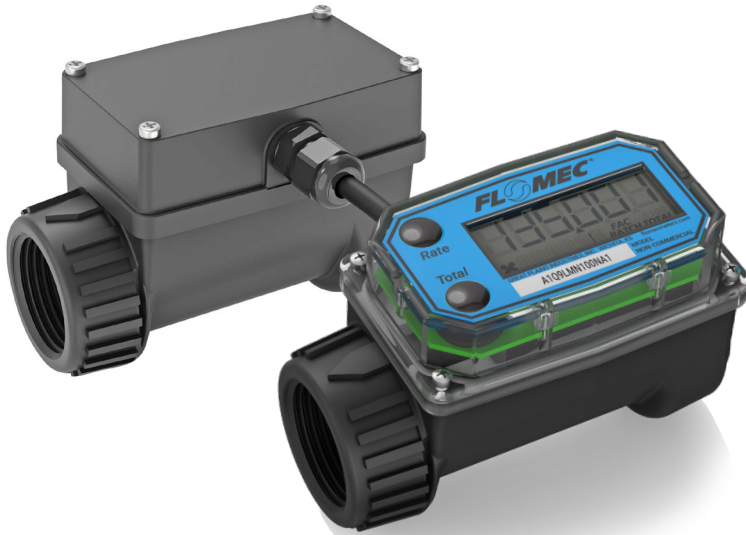


# A1 SERIES NYLON OPTION



**FLOMEC® A1 Series Meters** are designed as self-contained, battery-powered units. Select the A1 Nylon Series when you need an accurate meter for water or non-aggressive chemical applications.

- Nylon meter for use in water or non-aggressive chemical applications

## FEATURES / BENEFITS

- Unique package combines Turbine and LCD into a self-contained, compact, economical meter
- Local Display Computer features: 2 Non-Volatile Totals (Batch Total = Resettable, Total = Non-resettable) and Rate of Flow
- Output capabilities available to communicate with process control equipment
- Lightweight, compact design allows for easy installation
- AAA Alkaline battery life: 2 years
- 12 selectable engineering units (gallons or liters are standard defaults)
- Factory calibration

## SPECIFICATIONS

Meter Sizes Available:	N025 (Low Flow), N100 (1 inch)	
Design Type:	N025	Paddlewheel
Fitting Size / Fitting Type:	N025	1 inch / NPT or ISO* (Female)
Flow Range:	N025	0.3 - 3 GPM   1 - 11 L/min
Accuracy (% of Reading):	N025: Application Dependent <sup>1</sup>	
Repeatability:	N025	± 1.0%
Pressure Rating (Nylon):	150 psi (10.3 bar)	
Operating Temperature Range:	-40° F to 250° F (-40° C to 121° C)	
with Safe Area Only Display:	0° F to 140° F (-18° C to 60° C)	
with Intrinsically Safe Display:	0° F to 129° F (-18° C to 54° C)	
Typical K-Factor:	N025	2200 PPG (581 Pulses/L)
Frequency Range:	N025	11-110 Hz @ 0.3-3 GPM (1-11 L/min)
Recommended Strainer Size:	N025	55 mesh (275 µm)
Wetted Materials (Nylon):	Housing:	Nylon
	Bearings:	Ceramic (96% Alumina)
	Shaft:	Tungsten Carbide
	Rotor:	Nylon
	Rings:	316 Stainless Steel
Calibration Report:	Comes standard with A1 Series meters.	
	N.I.S.T. – Certification available.	

<sup>1</sup>ISO 7 Designation is RC.

<sup>1</sup>Accuracy can vary up to ± 5% depending on installation and fluid type. Field calibration is recommended for best accuracy.

## APPLICATIONS

- Plant Process Water
- Batching / Blending
- Water / Non-Aggressive Chemicals
- Ag Chemicals
- Solvents / Glycol
- Chemical Feed Lines

## APPROVALS<sup>†</sup>



IP65



NEMA 4



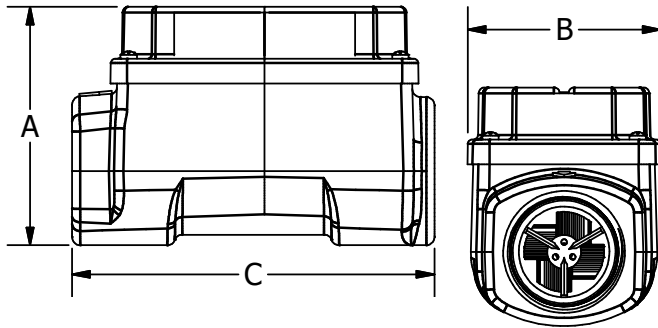
<sup>†</sup>If the meter includes any modules (4-20 mA and Pulse Out) that introduces external power, then all intrinsic safety approvals are voided.

Wichita · Sydney

GREAT PLAINS INDUSTRIES



# A1 SERIES NYLON OPTION



## DIMENSIONS

	N025, 1 in. Low Flow
A = Height*	2.5 in. (63.5 mm)
B = Width	2.0 in. (50.8 mm)
C = Length	4.0 in. (101.6 mm)

\*Height includes 0.7 in. (1.8 cm) for the computer electronics.

## ACCESSORIES

Part No.	Description
113275-10	FM Approved Remote Kit Assembly <sup>†</sup>
113435-10	Conditioned Signal Output Module
125260-02	90° Display Adapter Kit
125100-10	4-20 mA Module

<sup>†</sup>Does not make Non-FM or Non-ATEX Approved meters FM or ATEX Approved.